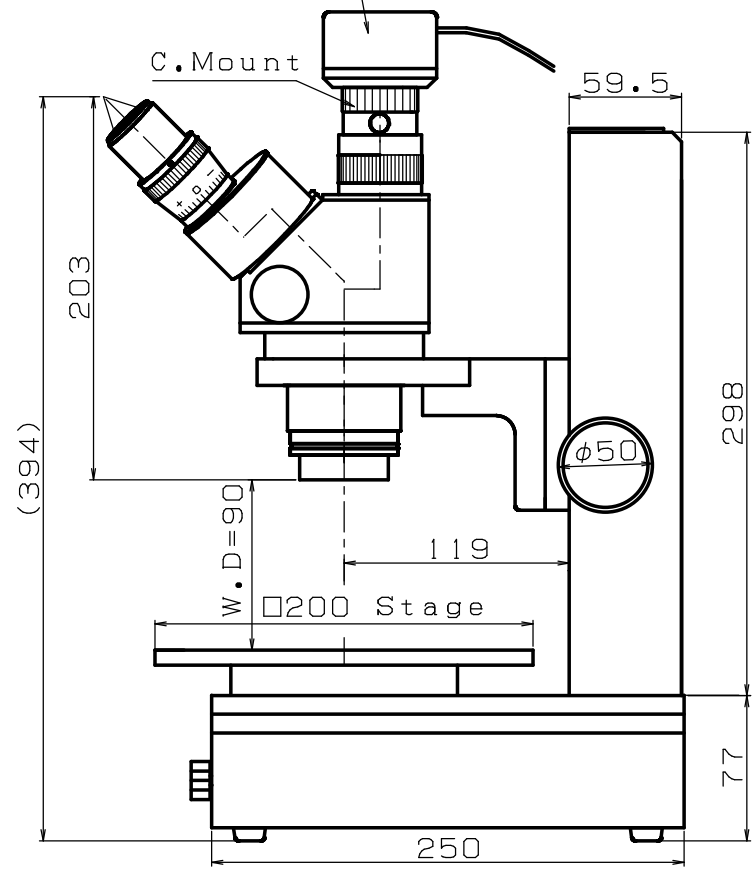
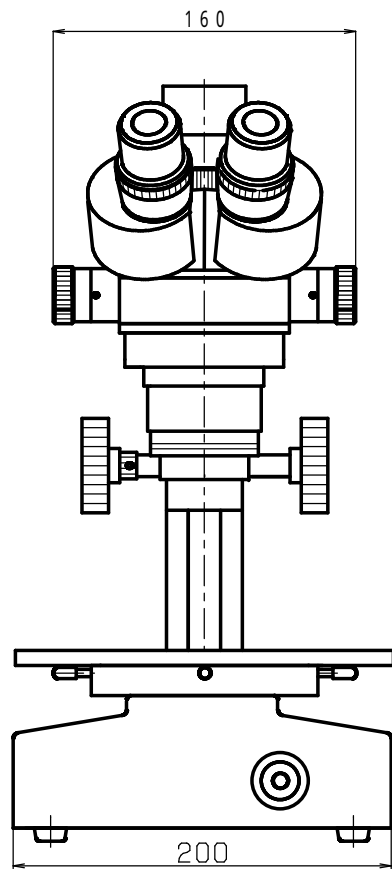


CCD Camera



SKZ-TR-3

S=1/4