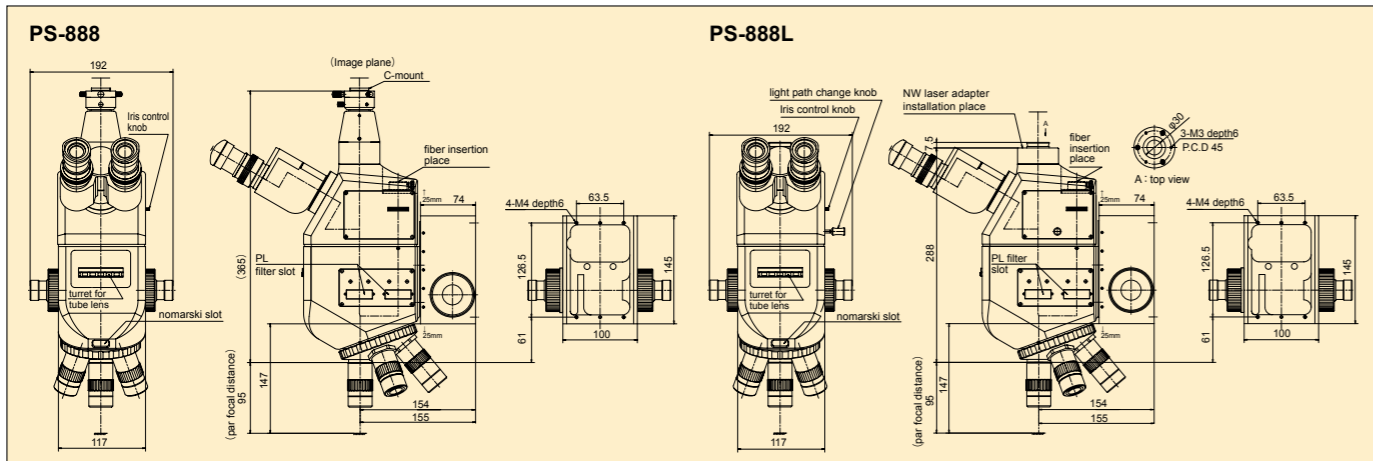


SUPER SCOPE MICROSCOPE

Microscope

This microscope is a high-power, high-resolution instrument and is ideal as a probe station for the semiconductor industry and for LCD assembly. The PS-888L features a 3 lens turret which mounts the 1064nm, 532nm and 355nm tube lenses. Additionally, a YAG Laser can be mounted on the PS-888L for semiconductor circuit and LCD substrate repair.



Models	PS-888	PS-888L
Name	Microscope for Prober M/C	Microscope for Laser Cutter
Optical tube type	Visible Light	Infrared~Ultraviolet Light
Erect Trinocular tube	Interpupillary distance	Siedentop type, Adjustment distance: 50-75mm
	Field of view	23mm
Main body (Image formation lens)	Optical path	T:R=70:30 Simultaneous Observation
	Tube lens	1× (486-656) nm
Camera mount	Image formation lens	2× (486-656) nm
	Laser	Turret Changeover System
Coaxial vertical illumination	C-mount	YAG laser (Basic, Second & Third height)
Revolver	Coaxial vertical illumination	Laser mount (N/W)
	Revolver	Bright field koehler illumination with field & aperture stop
Objective lens	Objective lens	Bright field koehler illumination with field & aperture stop
	Weight	Inward rotating bright field type
Focus unit	Weight	Revolver(4 holes) Par center & par focal adjustable
	Load capacity	Infinity corrected objective lens (M.Plan APO lenses)
External dimension	Operation	Revolver(5 holes) Par center & par focal adjustable
	Stroke	±25mm
	Stroke	±25mm
	External dimension	192 (W) × 352 (D) × 365 (H) mm

OPTIONS	model #
Camera adaptor	LCA-1
Illuminator	Power Supply FA-100C / FA-150EN Fiber Light Guide SL-B5series
Motorized turret	ARC-03HD-5
Motorized focus	STE-25Z
Filter unit	PL-2
Color filter	Red FC-R
	Green FC-G
	Blue FC-B
	Yellow FC-Y
Eyepiece	FWF 10×DA ②-888
	WF15× ③-888
	WF20× ④-888
Objective lens	2.5× M.PlanAPO2.5×
	5× M.PlanAPO5×SB
	10× M.PlanAPO10×SB
	20× M.PlanAPO20×SB
	50× M.PlanAPO50×SBS
100× M.PlanAPO100×SBS	
Stand	STD-67

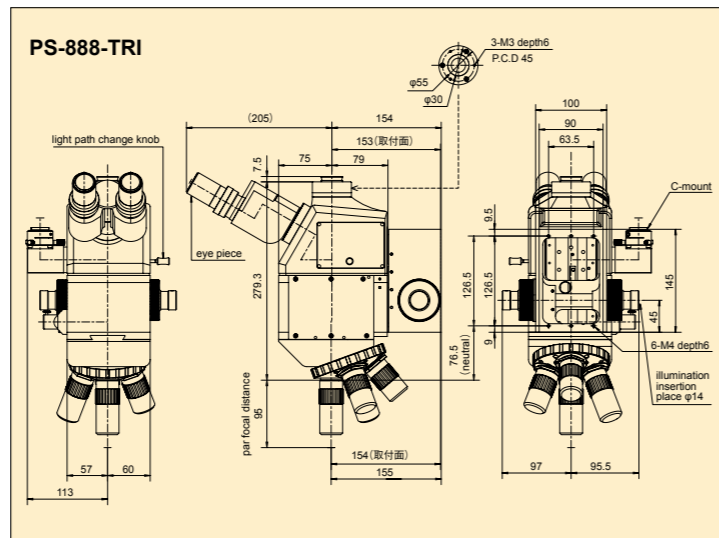
SUPER SCOPE MICROSCOPE SIDE CAMERA PORT

Made to Order

This microscope is equipped with a port on the side of the body for mounting a camera. Additionally, a Koehler illumination port is also equipped on the side of the microscope body for better image contrast. The tube lens is not interchangeable because of its compact size. The working wavelength must be specified at time of order.

Model#	PS-888-TRI (with focus mount)
Load capacity	45kg
Stroke	50mm
1 round	Coarse 4mm / rev Fine 0.1mm / rev
Scale	1 increment / 1μm

Seiwa optical Co., Ltd is not liable for the performance and safety of microscope systems equipped with Laser equipment.



DATA

PS-888 / PS-888L System Chart

