



## MS - 200 - SHORT

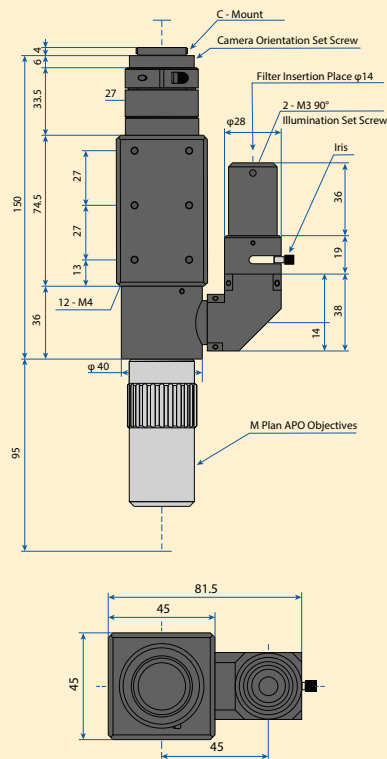
F=200 Coaxial tube

These compact tube lenses are designed for infinity  $f = 200\text{mm}$ . They have high resolution, long working distances and brightness.

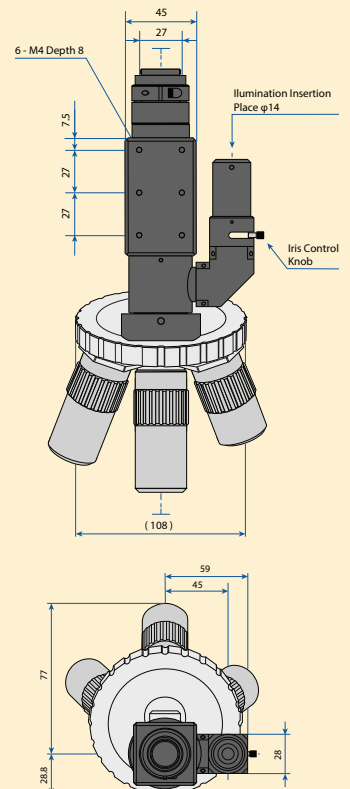
The M.Plan APO objective lens are available and will work best for this tube lens series.

\*Objective Lens are optional

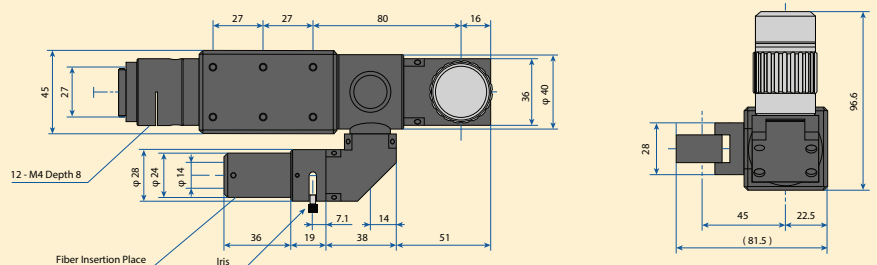
### MS - 200 - SHORT



### MS - 200 - SHORT - RV



### MS - 200 - SHORT - TR



## Specifications

Model	MS-200-SHORT	MS-200-SHORT-RV	MS-200-SHORT-TR	MS200-SHORT-TWL
Tube Lens	f = 200mm			
Mount	C - Mount			
Equivalent CCD	Maximum 2/3" CCD			
Weight	600g (excludes objective lens)			