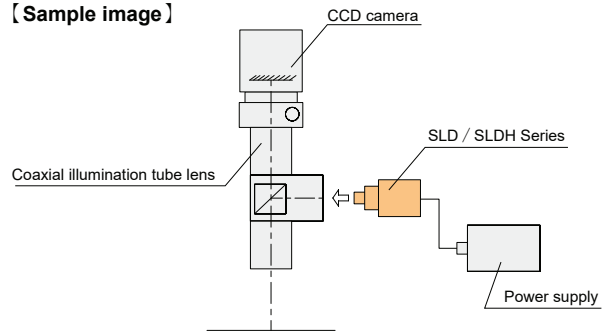


Spot LED for Coaxial Light



[Sample image]



SLDH Series

Spot LED is a powerful LED and used for lens magnification higher than 3X. The outer dimension is designed for a maximum of 22mm to facilitate the needs of system integrators. This illuminator is useful not only for coaxial illumination but for spot illumination as well.

Specifications

Model	Light Color	Input Current
SLDH-A20-□	R W B G -	350mA

*Note: □ represents light color (R=Red, W=White, B=Blue, G= Green and Y=Yellow)

Specifications

Model	Light Color	Input Current
SLDH-A21-□	R W B G Y	700mA

*Note: □ represents light color (R=Red, W=White, B=Blue, G= Green and Y=Yellow)

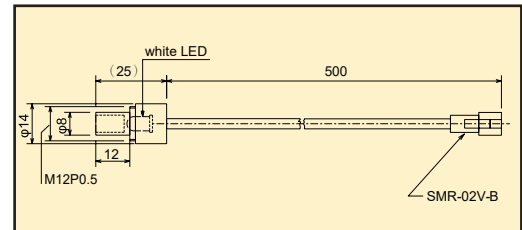
SLD Series

A series of illuminators that utilize high - intensity LEDs are mainly used for coaxial illumination systems. They are useful for low magnification coaxial lenses which do not require high intensity illumination.

Specifications

Model	Light Color	Power Consumption	Input Voltage
SLD-A14-□	R W B G	1 W	DC12V
SLD-A30-□	R W B G	2 W	DC12V

*Note: □ represents light color (R=Red, W=White, B=Blue, and G= Green)



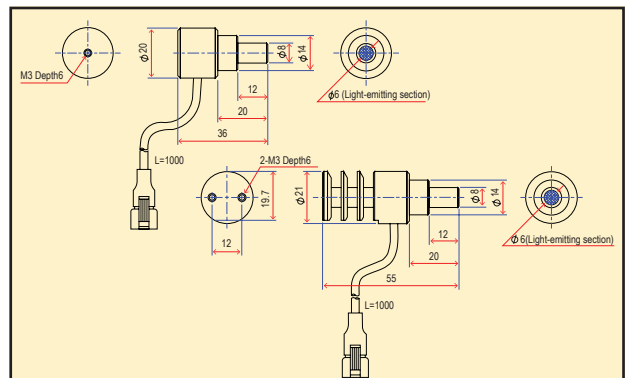
SLDH (IR and UV) Series

Ultraviolet light can be used to excite particles and to inspect fine scratches. Liquid states can be recognized by IR transmission. Text and patterns can also be transmitted to facilitate visual inspection.

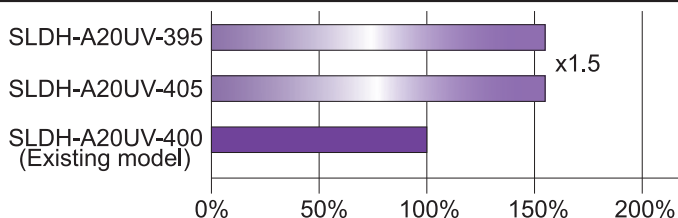
Specifications

Model	Light Color	Input Current
SLDH-A20UV-□	UV(365,375,385,395,405)	350mA
SLDH-A20IR- □	IR(850,940)	350mA
SLDH-A21UV-□	UV(365,375,385,395,405)	700mA
SLDH-A21UV-□	IR(850,940)	700mA

*Note: □ represents the wavelength(nm) for UV and IR.



Comparison of UV irradiance (Reference Value)



Optional resistance Box (SLD/SLDH)



Need it at the time of using DC 12V output power supply Required when using the SLD or SLDH series with DC12V. It is also required when you use overdrive power supply.