

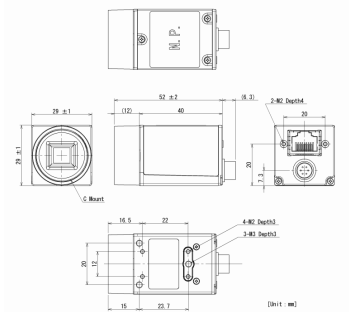
This BG series is an integrated-(one-body)-type camera that adopts all pixel data readout interline CCD or CMOS.

For video output and camera control, the Gigabit Ethernet interface standard "IEEE 802.3ab" is adopted for high transfer rate, and it is easy to integrate into industrial equipment.



Other features include:

- Selectable video output area: This mode achieves higher frame rate by reducing vertical output area
- Employs global electronic shutter similar to a CCD image sensor, clear images of even fast-moving objects are obtained with less blur
- The Random Trigger Shutter function provides images in any timing by input of an external trigger signal. Trigger control from PC is available as well



B/W with Gigabit Ethernet IEEE802.3ab Interface Specifications

Model	BG205M-CS	BG202	BG130	BG080	BG030	BG031
Sensor Size	2/3 GS-CMOS	1/1.8 CCD	1/3 CCD	1/3 CCD	1/3 CCD	1/2 CCD
Frame Rate (fps)	50	20	30	40	125	125
Scan Area (mm)	11.26(H)x5.98(V)	7.16(H)x5.44(V)	4.86(H)x3.62(V)	4.81(H)x3.62(V)	4.88(H)x3.66(V)	6.52(H)x4.89(V)
Pixel Size (μm)	5.5x5.5	4.40x4.40	3.75x3.75	4.65x4.65	7.4x7.4	9.9x9.9
Pixel Resolution	2048(H)x1088(V) 2M	1628(H)x1236(V) 2M	1296(H)x966(V) 1.3M	1034(H)x779(V) 0.8M	659(H)x494(V) 0.3M	659(H)x494(V) 0.3M

Color with Gigabit Ethernet IEEE802.3ab Interface Specifications

Model	BG205MC-CS/MCF-CS	BG202C/CF	BG130C/CF	BG030C/CF
Sensor	CMV2000	ICX274	ICX445AQA	ICX425AQ
Sensor Size	2/3 GS-CMOS	1/1.8 type	1/3 type	1/3 type
Frame Rate (fps)	50	20	30	125
Scan Area (mm)	11.26(H)x5.98(V)	7.16(H)x5.44(V)	4.86(H)x3.62(V)	4.88(H)x3.66(V)
Pixel Size (μm)	5.5x5.5	4.40x4.40	3.75x3.75	7.4x7.4
Pixel Resolution	2048(H)x1088(V) 2M	1628(H)x1236(V) 2M	1296(H)x966(V) 1.3M	659(H)x494(V) 0.3M