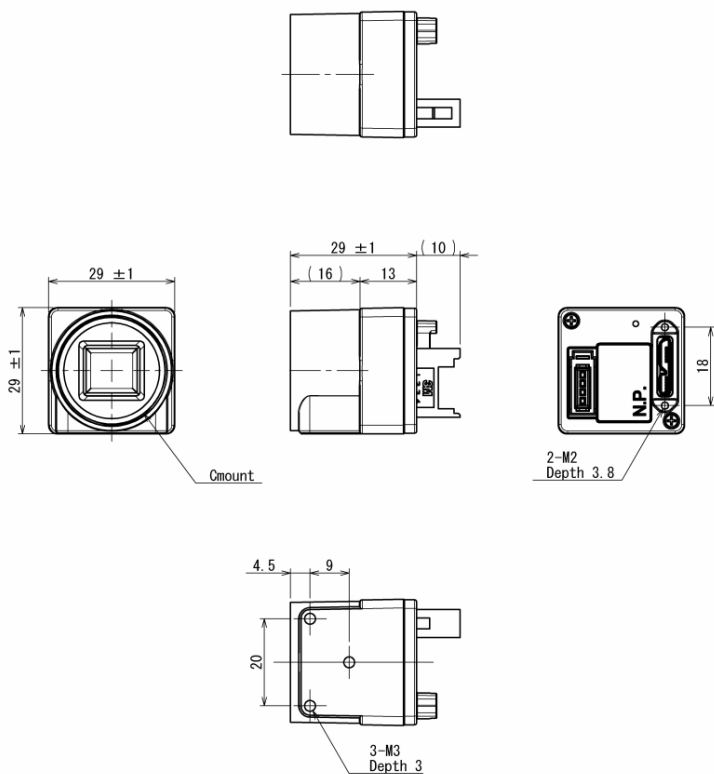


This series of cameras has quality color and B/W, CCD and CMOS cameras for easy integration into vision systems. It features fast USB 3.0 with a compact and lightweight design.

Other features include:

- Has bandwidth in excess of 440 MByte/sec.
- Bulk trigger and sequential trigger modes allow capture of multiple frames in rapid succession, each using different gain, exposure, ROI
- Features external and software trigger options
- Abundant sample code
- Unified SDK for USB 3.0
- Color models have built in color processing
- Equipped with all pixel data readout CCD



Model	BU030
Pixel Resolution:	659(H) x 494(V) 0.3M
Pixel Size (µm):	7.4 x 7.4
Frame Rate (fps):	125
Scan area (mm):	4.88 x 3.66
Aspect Ratio:	4:3
Standard sensitivity:	1700lx (F5.6, 1/125s)
Min. sensitivity:	7lx (F1.4, Gain +18dB, Video level 50%)
Black Level:	5 to 25%
Gamma:	y=1.0 to 0.45
Gain:	0 to +18dB
Power requirement:	DC5V
Power consumption:	2.6 W
Weight:	27g
Image output format:	10 bits/ 8 bits
Lens Mount:	C Mount
Sensor type:	CCD
Sensor Vendor:	Sony Corporation
Sensor Name:	ICX424AL
Sensor format:	1/3 CCD
Housing Size (LxWxH) in mm:	29(W) x 29(H) x 13(D)
Highspeed response:	Yes
Event notifications:	Yes
Bus synchronization:	Yes
Bulk trigger:	Yes