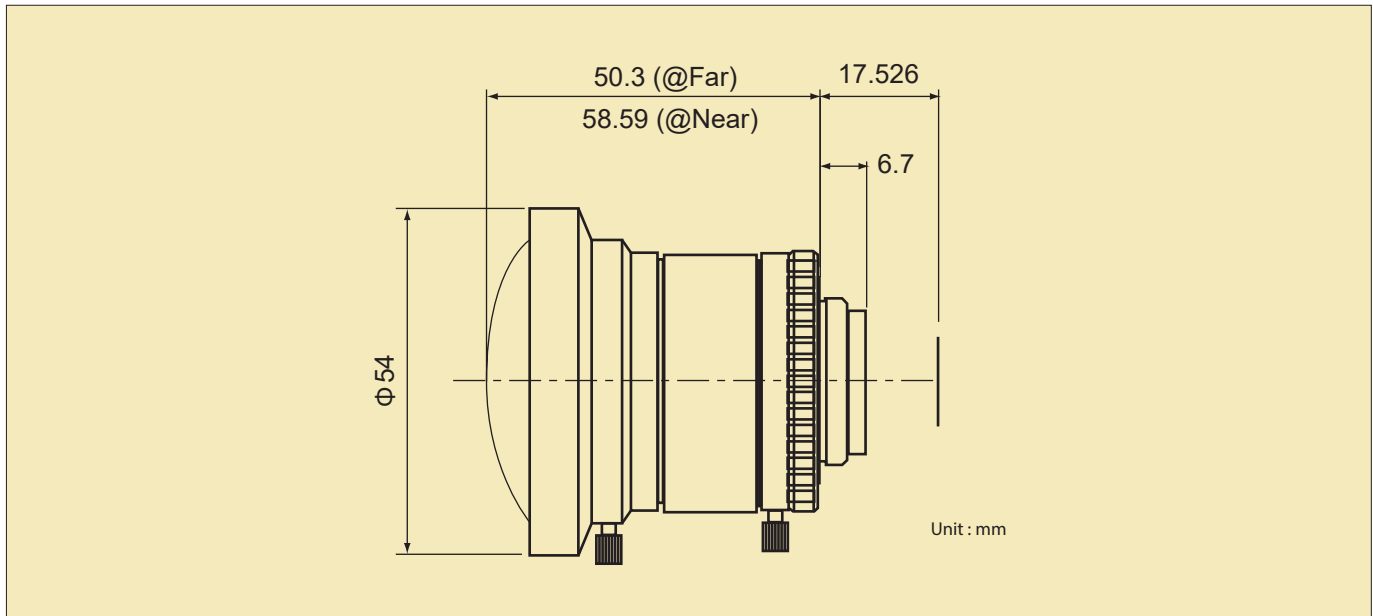


STV-6M-IR

SWIR Lens (900 to 1,900nm)



Specification -

Image Format	1-inch
Focal Length	6mm
Relative Aperture	F=1:1.8
Iris Range	1.8 to 22
Angle Field of View	95.1°(H) x 78.7°(V)
Objective wave length	900 to 1,900nm
TV Distortion	-0.7% (@Far)
M.O.D.	0.11m(@900nm), 0.35m(@1,700nm)
Back Focal Length	11.5mm
Flange Back	17.526mm
Operation	Focus : Manual
	Iris : Manual
Lens Mount	C-mount
Filter Screw	-
Dimensions	$\Phi 54 \times 58.59$ mm (max.)
Weight	186g
Operating Temperature	-10 to +50

For more information Contact US

Seiwa Optical America Inc 3042 Scott Blvd Santa Clara, CA 95054

Tel : +408-844-8008 **Fax :** +408-844-8944 **E-mail:** info@seiwaamerica.com **http://**www.seiwaamerica.com