

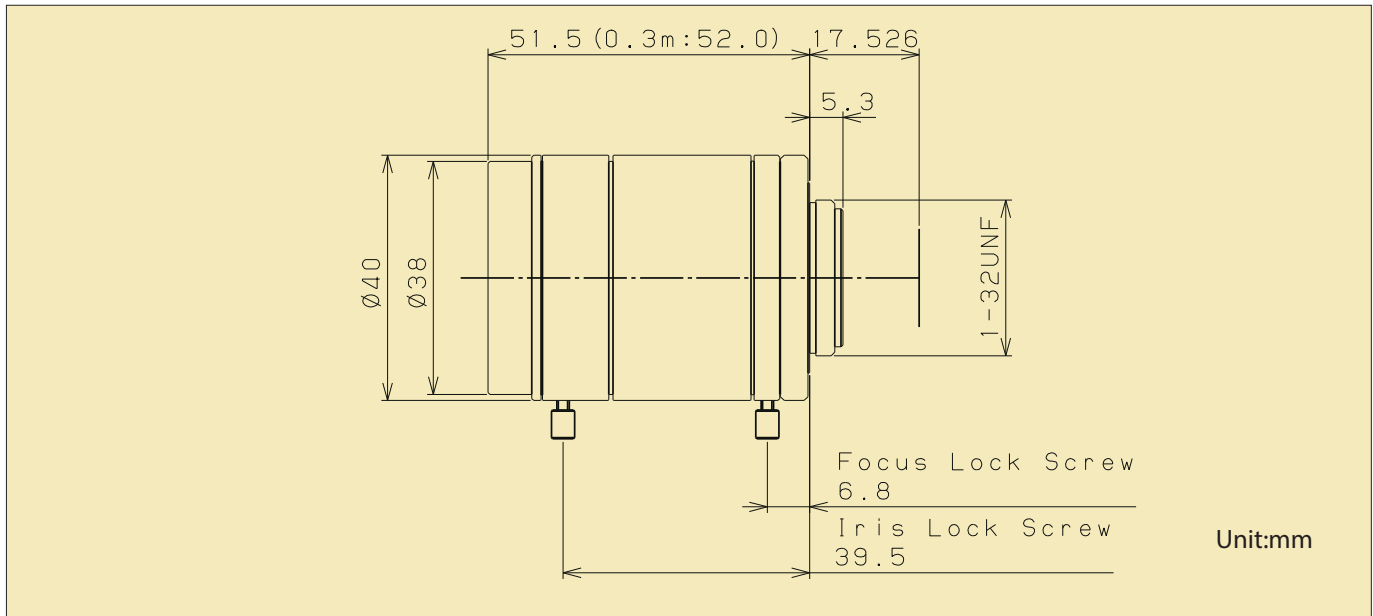
STV-12.5-MPIR-1inch

MACHINE VISION



STV-12.5-MPIR-1inch

SWIR Lens (900 to 1,900nm)



Specification -

Image Format	1-inch
Focal Length	12.5mm
Relative Aperture	F=1:1.4
Iris Range	1.4 to 22
Angle Field of View	55.7°(H) x 42.7°(V)
Objective wave length	900 to 1,900nm
TV Distortion	-1.4% (@Far)
M.O.D.	0.3m(@900nm)
Back Focal Length	13.5mm
Flange Back	17.526mm
Operation	Focus : Manual Iris : Manual
Lens Mount	C-mount
Filter Screw	35.5mm P=0.5
Dimensions	Ø40 x 51.5mm
Weight	155g
Operating Temperature	-10 to +50

For more information Contact US

Seiwa Optical America Inc 3042 Scott Blvd Santa Clara, CA 95054

Tel : +408-844-8008 Fax : +408-844-8944 E-mail: info@seiwaamerica.com <http://www.seiwaamerica.com>