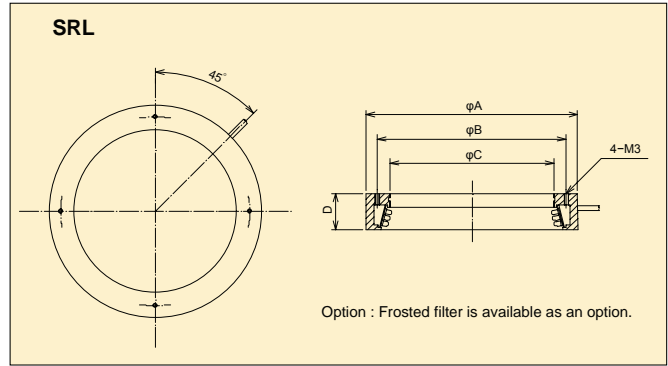


Low Light Angle Ring LED

This illuminator is a shallow-angle LED ring style. Illumination from a shallow angle allows surface irregularities to be seen quite readily.

SRL series

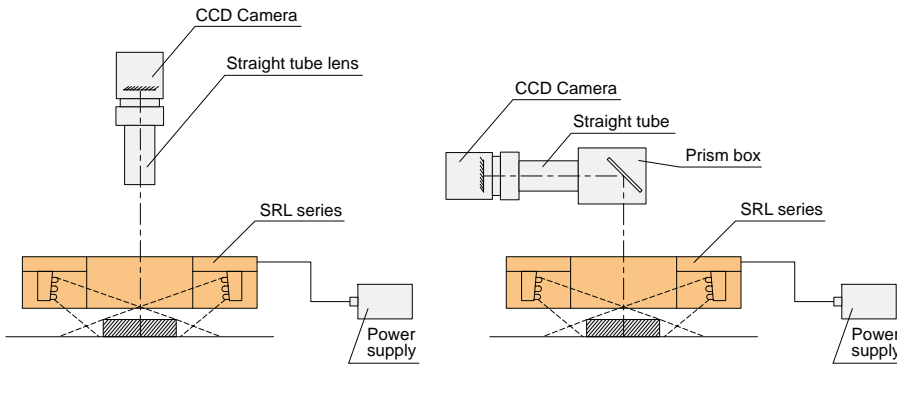


Specification

Model#	Dimension (mm)				LED number	Power consumption (W)	WD	Color
	A	B	C	D				
SRL-40-15R	40	28	15	17	36(2 row)	1.5	5~10	Red
SRL-40-15W	40	28	15	17	36(2 row)	2.9	5~10	White
SRL-50-24R	50	36	24	18	48(2 row)	2.0	10~20	Red
SRL-50-24W	50	36	24	18	48(2 row)	3.9	10~20	White
SRL-74-48R	74	60	48	19	90(2 row)	3.6	15~30	Red
SRL-74-48W	74	60	48	19	90(2 row)	7.2	15~30	White
SRL-100-68R	100	84	68	22	180(3 row)	7.2	20~40	Red
SRL-100-68W	100	84	68	22	90(3 row)	7.2	20~40	White
SRL-120-70R	120	90	70	21	228(3 row)	9.2	20~40	Red
SRL-120-70W	120	90	70	21	114(3 row)	9.2	20~40	White
SRL-140-108R	140	125	108	24	262(3 row)	10.6	15~40	Red
SRL-140-108W	140	125	108	24	132(3 row)	10.6	15~40	White
SRL-200-170R	200	186	170	22	396(3 row)	15.9	40~45	Red
SRL-200-170W	200	186	170	22	315(3 row)	25.2	40~45	White

Note : Blue (B) , Green (G) LED are also available.

[Sample Construction]



[List of frosted filters for Ring LED series]

Frosted filter for ring LED are available from list below.

(Thickness: 2mm / Transmission: 80%)

■ For Flat Direct Ring Illuminators

Model#	Applicable illumination
SKRF-32-10	SRF-32-10
SKRF-43-15	SRF-43-15
SKRF-50-15	SRF-50-15
SKRF-60-32	SRF-60-32
SKRF-70-37	SRF-70-37
SKRF-90-50	SRF-90-50
SKRF-100-50	SRF-100-50
SKRF-110-60	SRF-110-60

■ For Direct Ring Illuminators

Model#	Applicable illumination
SKRD-38-15	SRD-38-15
SKRD-38-12	SRD-38-15
SKRD-40-25	SRD-40-25
SKRD-40-21	SRD-40-25
SKRD-50-28	SRD-50-28
SKRD-50-24	SRD-50-28
SKRD-66-36	SRD-66-36
SKRD-66-32	SRD-66-36
SKRD-70-39	SRD-70-39
SKRD-70-35	SRD-70-39
SKRD-90-50	SRD-90-50
SKRD-110-60	SRD-110-60
SKRD-140-95	SRD-140-95

■ For Low Angle Ring Illuminators

Model#	Applicable illumination
SKRL-74-48	SRL-74-48
SKRL-100-68	SRL-100-68
SKRL-120-70	SRL-120-70
SKRL-140-108	SRL-140-108
SKRL-200-170	SRL-200-170

[Mounting adapter of Ring LED to lens tube]

This adapter for mounting Ring LED to lens tubes is available as standard component and customized for special applications.

