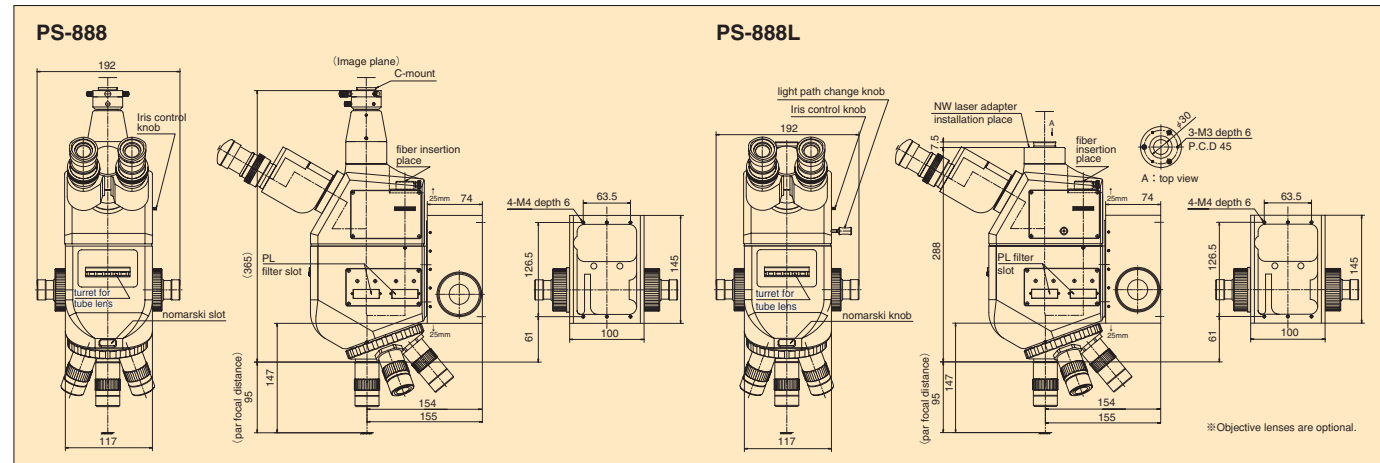


SUPER SCOPE MICROSCOPE

This microscope is a high-power, high-resolution instrument and is ideal as a probe station for the semiconductor industry and for LCD assembly. The PS-888L features a 3 lens turret which mounts the 1064nm, 532nm and 355nm tube lenses. Additionally, a YAG Laser can be mounted on the PS-888L for semiconductor circuit and LCD substrate repair.



Models	PS-888	PS-888L
Name	Microscope for Prober M/C	Microscope for Laser Cutter
Optical Tube Type	Visible Light	Infrared~Ultraviolet Light
Erect Trinocular Tube	Siedentopf Type, Adjustment Distance : 50-75mm	
Field of View	23mm	
Optical Path	T:R=70:30 Simultaneous Observation	0:100/100:0 Switch path
Main Body	Tube Lens (Image Formation Lens)	1X (486nm-656nm)
	Tube Lens (Image Formation Lens)	2X (Visual) (486nm-656nm)
	Tube Lens (Image Formation Lens)	1X (532nm-1064nm)
Laser	Turret Changeover System	2X (486nm-656nm) Use only for Visual
Camera Mount	C-mount	YAG Laser (Basic, Second & Third Height)
Coaxial Vertical Illumination	Bright Field Koehler Illumination with Field & Aperture Stop (Φ14mm, Φ10mm Capable)	
Revolver	Back Tilted 4 noses bright field type (Per Center & Par Focal adjustable)	
Eyepiece	10X 2pcs. Set (FWF10X) Standard accessory	
Available Objective Lens	Infinity Corrected Objective Lens (M.Plan APO Lenses)	
Weight	6.8kgs(14.99Lbs) w/manual focus block	7.5kgs(16.50Lbs) w/manual focus block
	Load Capacity	45kgs (99.1lbs)
Focus Unit	Operation	Coarse and Fine manual operation (Coarse : 1 round/4mm, Fine : 1 round/0.1mm)
	Stroke	±25mm

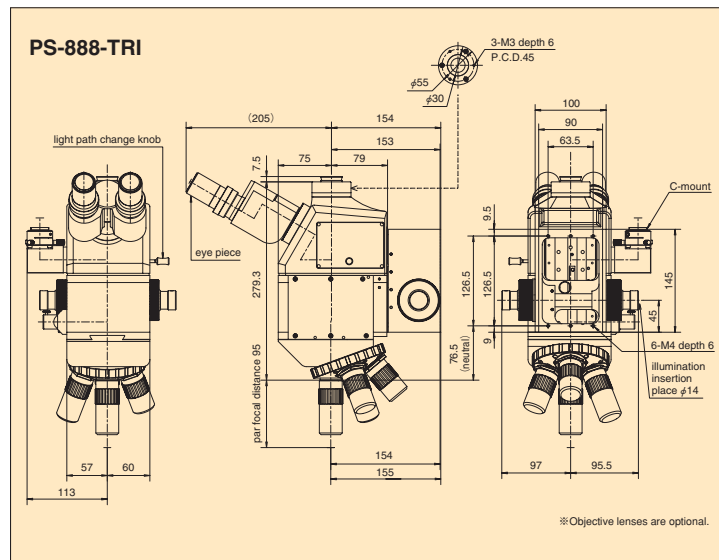
[OPTIONS]	
model	model #
Camera adaptor	LCA-1
Illuminator	Power Supply FA-100EN/FA-150EN Fiber Light Guide SL-B5-3000 (3M)
Motorized Turret	ARC-01
Motorized Focus	FC-02
Filter unit (Round Actuated)	PL-2
Nomarski Prism, 1/4 wave length with Polarizer and Analyzer	NP-3
Color Filter	Red FC-R Green FC-G Blue FC-B Yellow FC-Y
Eyepiece	FWF10XDA ②-888 WF15X ③-888 WF20X ④-888
Objective Lens	2.5X M.PlanAPO2.5X 5X M.PlanAPO5XSB 10X M.PlanAPO10XSB 20X M.PlanAPO20XSB 50X M.PlanAPO50XSB 100X M.PlanAPO100XSB
Stand	STD-67

SUPER SCOPE MICROSCOPE SIDE CAMERA PORT

Made to Order

This microscope is equipped with a port on the side of the body for mounting a camera. Additionally, a Koehler illumination port is also equipped on the side of the microscope body for better image contrast. The tube lens is not interchangeable because of its compact size. The working wavelength must be specified at time of order.

Model#	PS-888-TRI (with focus mount)
Load capacity	45 kgs
Stroke	50mm
1 round	Coarse 4mm / rev Fine 0.1mm / rev
Scale	1 increment / 1μm



DATA

PS-888/PS-888L System Chart

